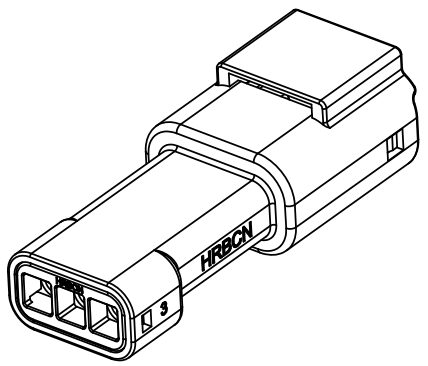
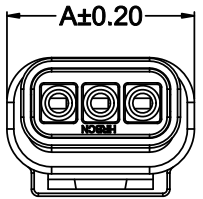
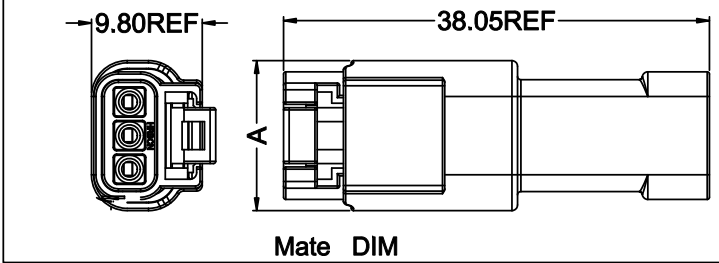


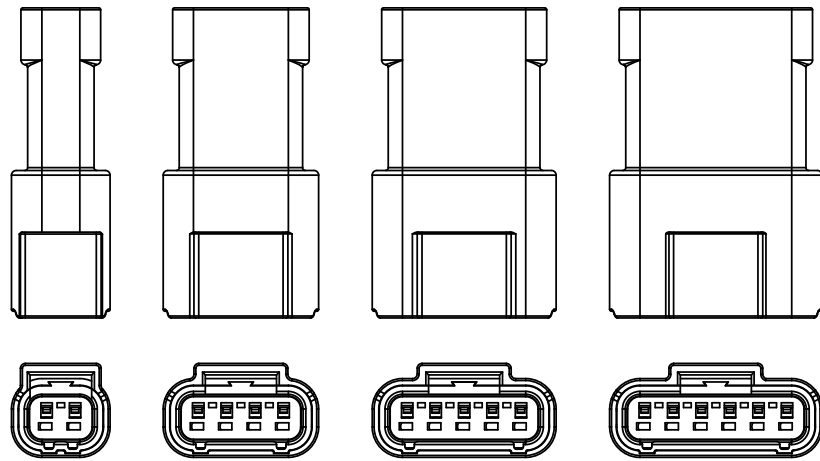
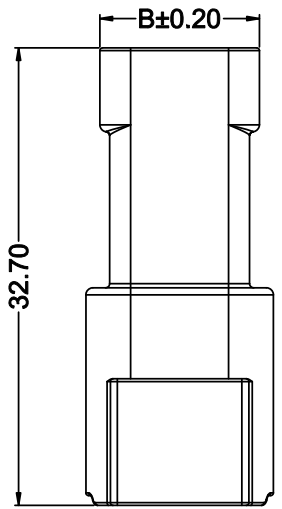
A							



3D View



Mate DIM



1x2 Pin 1x4 Pin 1x5 Pin 1x6 Pin

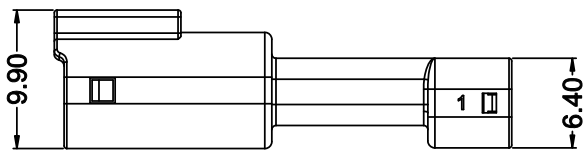
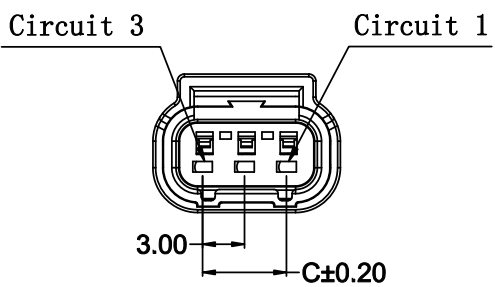
NOTES

***Material**

- Housing: PBT UL94V-0;
- Seal ring: Silicon rubber;
- Seal ring holder :PBT UL94V-0;
- Seal plug: Silicon rubber;
- Seal plug holder :PBT UL94V-0;
- Used With: T30033WPPS-x
- Mated With: M30032WP-1xN-W

***Electrical Specification**

- Current Rating:10A AC,DC Max. (AWG18)
- Voltage Rating:250V AC,DC
- Operating Temperature: -40℃~+105℃
- Insulation Resistance:1000MΩ Min.
- Withstanding Voltage:1500V AC/minute
- Waterproof Grade: IP67

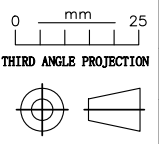


Pin No.	料号	A	B	C
1x2	M30033WP-1x2-W	10.40	8.40	3.00
1x3	M30033WP-1x3-W	13.40	11.40	6.00
1x4	M30033WP-1x4-W	16.40	14.40	9.00
1x5	M30033WP-1x5-W	19.40	17.40	12.00
1x6	M30033WP-1x6-W	22.40	20.40	15.00

料号 (Part No.)	M30033WP-1xN-W	UNIT:mm	
产品名称 (Product Name)	Water Proof 3.0 Pitch Female (1xN) Pin	Tolerance:	Angular Dim.
		.XXX ±0.10	.XX° ±1°
		.XX ±0.20	.X° ±2°
比例(Scale)	1:1	版本(Version)	A
		.X ±0.30	X.° ±3°



东莞市鸿儒连接器有限公司
Hong Ru Connectors(DG) Co.,Ltd.



核准Approved:		日期Date:	09/20-'22
审核Checked:		日期Date:	09/20-'22
设计Designed:	Yi Xiao Xu	日期Date:	09/20-'22

A
B
C
D
E
F

A
B
C
D
E
F