

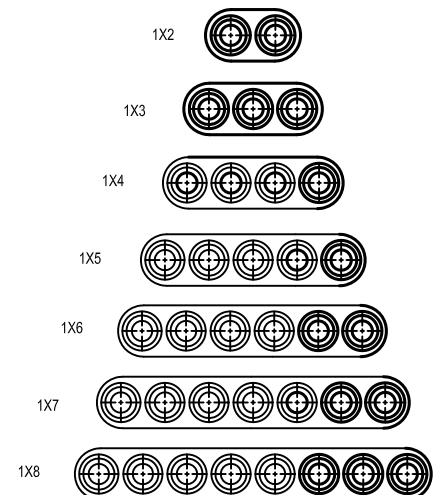
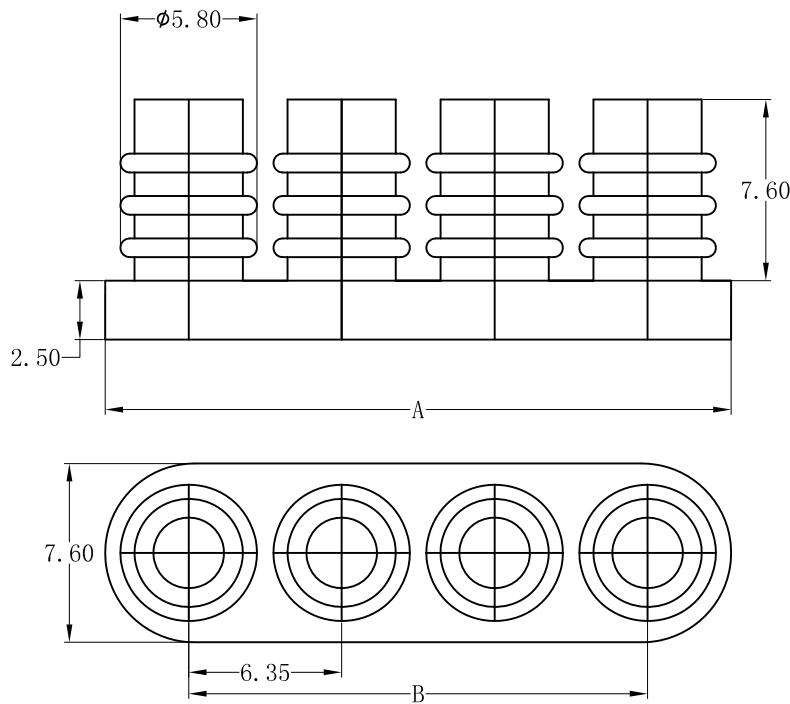
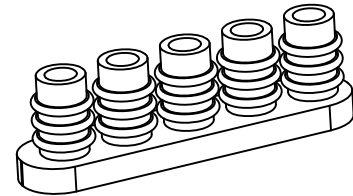
# 6.35mm(.250") Wire To Wire And Wire To Board Connector



Connector & Terminal

## SPECIFICATIONS:

- 1.Product Surface Should Be Smooth, Bright And Clean, No Flash, Bubble, Crack, Different Color Phenomena.
- 2.The Product Is Shallow Blue Color.



## Ordering Information And Dimensions

Part NO.	Circuits	Dimensions	
		Dim:A	Dim:B
PL635OU-1x2	2	13.90	6.35
PL635OU-1x3	3	20.25	12.70
PL635OU-1x4	4	26.60	19.05
PL635OU-1x5	5	32.95	25.20
PL635OU-1x6	6	39.30	31.75
PL635OU-1x7	7	45.65	38.10
PL635OU-1x8	8	52.00	44.45

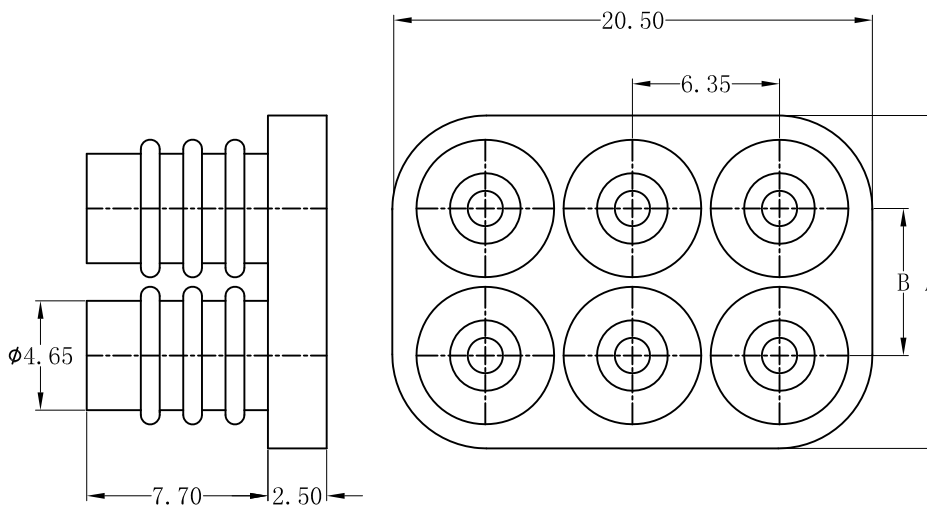
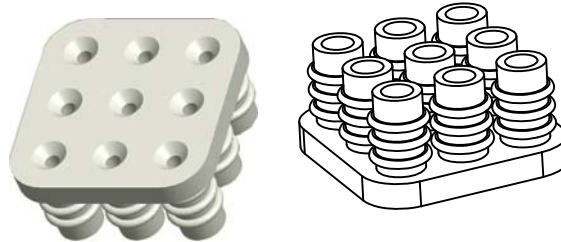
# 6.35mm(.250") Wire To Wire And Wire To Board Connector



Connector & Terminal

## SPECIFICATIONS:

- 1.Product Surface Should Be Smooth, Bright And Clean, No Flash, Bubble, Crack, Different Color Phenomena.
- 2.The Product Is Shallow Blue Color.



## Ordering Information And Dimensions

Part NO.	Circuits	Dimensions	
		Dim:A	Dim:B
PL635OU-3x2	6	14.15	6.35
PL635OU-3x3	9	20.50	12.70
PL635OU-3x4	12	26.85	19.05
PL635OU-3x5	15	33.20	25.20

