

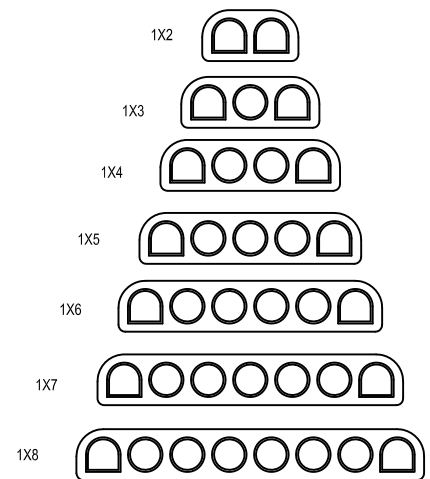
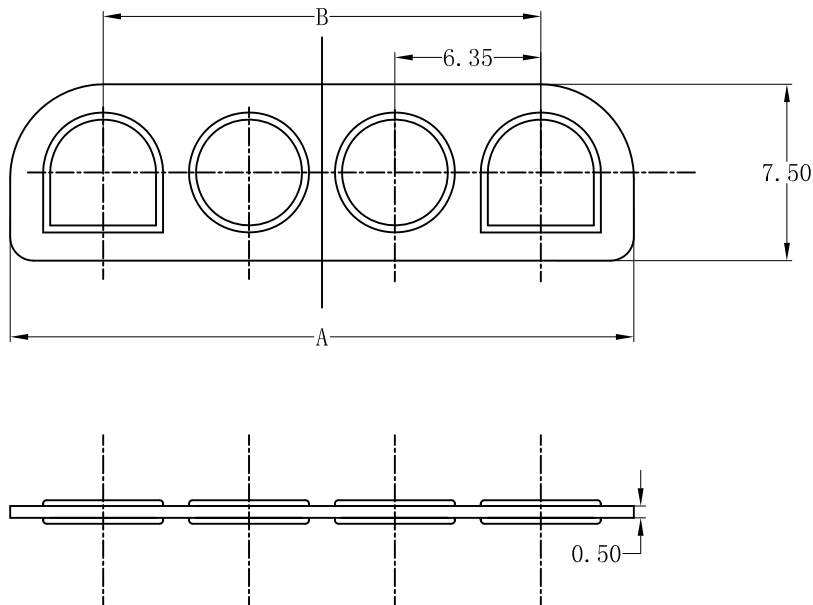
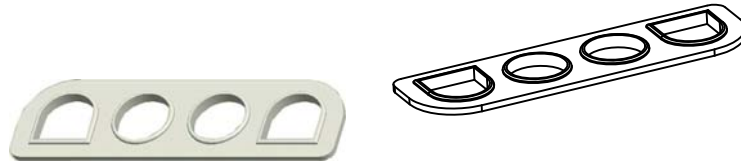
# 6.35mm(.250") Wire To Wire And Wire To Board Connector



Connector & Terminal

## SPECIFICATIONS:

- 1.Product Surface Should Be Smooth, Bright And Clean, No Flash, Bubble, Crack, Different Color Phenomena.
- 2.The Product Is Shallow Blue Color.



## Ordering Information And Dimensions

Part NO.	Circuits	Dimensions	
		Dim:A	Dim:B
PL635IN-1x2	2	13.80	6.35
PL635IN-1x3	3	20.15	12.70
PL635IN-1x4	4	26.50	19.05
PL635IN-1x5	5	32.85	25.20
PL635IN-1x6	6	39.20	31.75
PL635IN-1x7	7	45.55	38.10
PL635IN-1x8	8	51.90	44.45

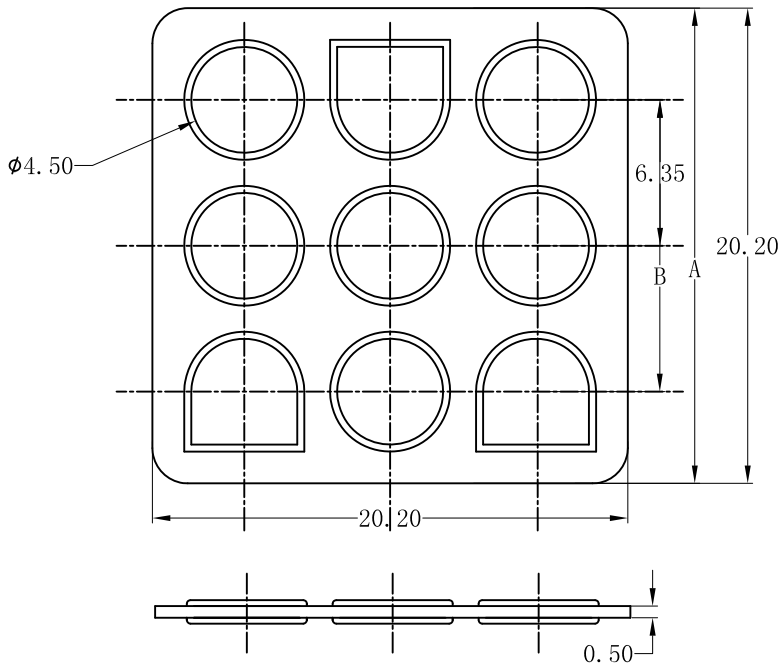
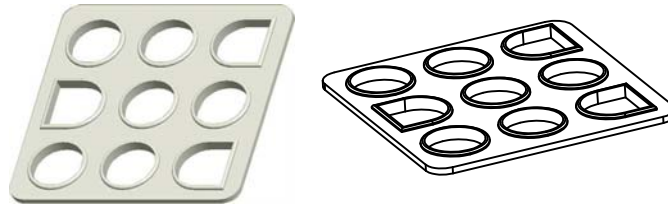
# 6.35mm(.250") Wire To Wire And Wire To Board Connector



Connector & Terminal

## SPECIFICATIONS:

- 1.Product Surface Should Be Smooth, Bright And Clean, No Flash, Bubble, Crack, Different Color Phenomena.
- 2.The Product Is Shallow Blue Color.



## Ordering Information And Dimensions

Part NO.	Circuits	Dimensions	
		Dim:A	Dim:B
PL635IN-3x2	6	13.85	6.35
PL635IN-3x3	9	20.20	12.70
PL635IN-3x4	12	26.55	19.05
PL635IN-3x5	15	32.90	25.20

