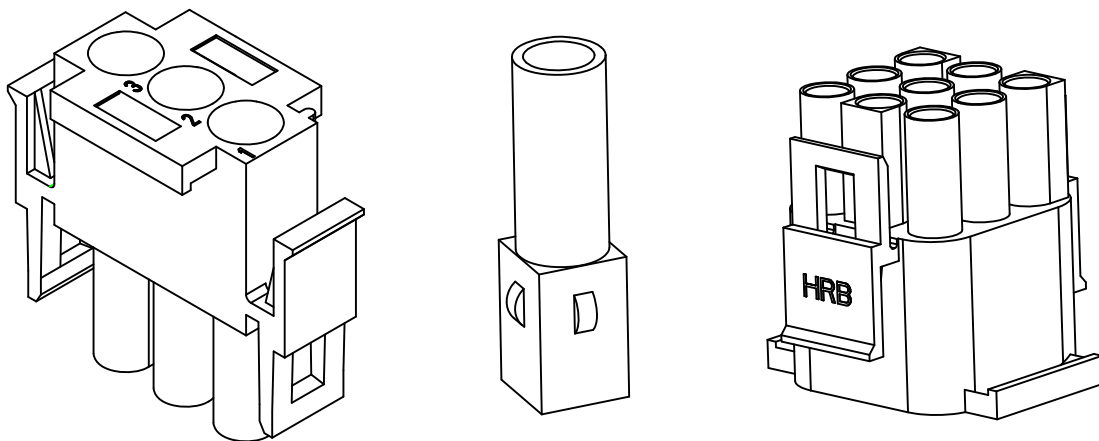


6.35mm(.250") Wire To Wire And Wire To Board Connector



SPECIFICATIONS:

- Current Rating:15A AC,DC
- Voltage Rating:600V AC,DC
- Operating Temperature:V2:-25°C~+85°C
V0:-40°C~+135°C
- Contact Resistance:10mΩ max.
- Insulation Resistance:1000MΩ Min.
- Withstanding Voltage:5000V AC/minute
- Material:Nylon66 UL94V-2 /UL94V-0
- UL File No:E304945
- Terminal In Housing Retention Force Requirement:2.0kg (Min.)
- GWT:750°C IEC-60335-1



P9848 Series

PART CODE INFORMATION

P9848 - XxX - X - X - H - X

I II III IV V VI

- VI - A denoting contact Type T9848BS-2 assembled;
B denoting contact Type T9848BS-2A assembled
- V - A denoting with max operating temperature 135°C;
B denoting with max operating temperature 65°C.
- IV - A denoting locker without hole;
H denoting locker with hole.
- III - A denoting natural color;
B denoting black;
W denoting white;
R denoting red.
- II - 1x1, 1x2, 1x3, 1x4, 1x5, 1x6, 1x7, 1x8, 3x2, 3x3, 3x4 or 3x5,
denoting the number of contact.
- I - P9848 denoting series designation.

